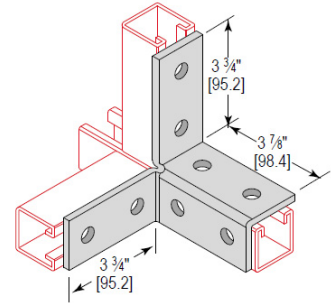


WFD8HEG	3/8-16 X 1-1/2 HHTB 18-8SS
----------------	-----------------------------------

UPC: 78461000987
 UNSPSC: 31161501
 Standard Qty: 100
 Master Carton Qty: 600
 Country of Origin: TAIWAN
 Wing Fitting Double Corner 8 Hole, Zinc Plated



Product Attributes		Compliance Information	
Brand Name	Minerallac	Buy America Act Compliant:	No
Surface Finish	Electro-galvanized	Buy American Act Compliant:	No
Thickness	1/4"	RoHS Compliant:	Yes
Material	Steel	UL Listed:	No
		UL Code:	
		Proposition 65	
		This product is in compliance with Prop65; it is not known to contain any chemicals associated with this regulation.	
Minerallac Company			
Tel: 800-927-3293			
Fax: 800-824-8942			
www.minerallac.com			

WARRANTY DISCLAIMER The information, data and recommendations contained herein may not be all inclusive or specific to your situation, and should only be used as a guide. The information is furnished upon the condition that the person receiving it shall make his/her own determination of the suitability of the product for his/her particular use and on condition that they assume the risk of the use thereof.

With respect to this publication and the product related thereto, except otherwise expressly provided by Manufacturer in writing, MANUFACTURER MAKES NO EXPRESS OR IMPLIED WARRANTY OF MERCHANTABILITY, FITNESS FOR A PARTICULAR PURPOSE OR ANY OTHER EXPRESS OR IMPLIED WARRANTY.

Remedy/Liability Limits The exclusive remedy for losses or damages resulting from this publication or the related product (including claims based on contract, negligence, strict liability or other legal theories) shall be limited to, at Manufacturer's sole election, one of the following: 1. Refund of purchase price paid by buyer or user for product bought, or 2. Replacement of amount of product used.

Manufacturer shall not be liable for losses or damages resulting from use of this publication or handling or use of this product, IN NO CASE SHALL MANUFACTURER BE LIABLE FOR CONSEQUENTIAL OR INCIDENTAL DAMAGES OR LOSSES, INCLUDING WITHOUT LIMIT, HEALTH RELATED DAMAGES OR INJURIES, OR LOST PROFITS.

The terms of this Warranty Disclaimer and Remedy/Liability Limits cannot be varied by any written or verbal statements or agreements. No employee or sales agent of Manufacturer or the seller is authorized to vary or exceed the terms of this Warranty Disclaimer or Limitation of Remedies in any manner.